



Project _____
 AIA # _____ SIS # _____
 Item # _____ Quantity _____ C.S.I. Section 114000

UPT SERIES

Compact Sandwich Prep Tables with Raised Cover/Self-Contained



STANDARD PRODUCT FEATURES

- High Quality Stainless Steel Exterior Top, Sides & Doors
- Durable, Corrosion Resistant Anodized Aluminum Interior
- Provides NSF Standard 7 Performance, Even With 6" Deep Pans
- Standard Work Height 34 $\frac{3}{8}$ " on 4" casters
- Environmentally Friendly R-290 Refrigerant
- Top Cut-Outs Accommodate Sixth Size Pans (divider bars and 4" deep plastic sixth size pans provided)
- Reinforced Pan Ledge (holds pans securely level)
- Removable Stainless Steel Insulated Pan Cover & Pivoting Lid
- Reversible, Full Length White Nylon Cutting Board
- Self-Closing Stainless Steel Doors with Stay-Open Feature at 105 Degrees
- Electronic Control
- Two (2) Powder Coated Steel Shelves Per Door, Mounted on Adjustable Pilasters
- Set of Four (4) 4" Casters
- Magnetic Snap-In EZ-Clean Door Gasket(s)



This unit is listed to the applicable ETL and NSF Standards by an approved NRTL. Consult the factory or unit's data plate for approval information.

ACCESSORIES & OPTIONS (*field installed)

- CK20 (four 6" (15.2 cm) high casters for 48" models)
- CK24 (four 3 $\frac{1}{2}$ " (8.9 cm) high casters for 48" models)
- CK26 (four 2 $\frac{3}{4}$ " (6.9 cm) high casters for 48" models)
- LK4 (four 6" (15.24 cm) high legs for 48" models)
- SHELF48-UPPER (upper shelf for 48" models)
- SHELF48-LOWER (lower shelf for 48" models)
- Optional accessory kits shipped separately for field installation

AVAILABLE CONFIGURATIONS

48" Wide Models

Model	Model Type	Hinging
UPT488-LR	48" Wide 8 Pan	Left/Right
UPT488-LL	48" Wide 8 Pan	Left/Left
UPT488-RR	48" Wide 8 Pan	Right/Right
UPT4812-LR	48" Wide 12 Pan	Left/Right
UPT4812-LL	48" Wide 12 Pan	Left/Left
UPT4812--RR	48" Wide 12 Pan	Right/Right
UPT4818LR	48" Wide 18 Pan	Left/Right
UPT4818-LL	48" Wide 18 Pan	Left/Left
UPT4818-RR	48" Wide 18 Pan	Right/Right

Factory Installed Options

- Stainless Steel Finished Back (model numbers will have '-SB' suffix)

- GUARANTEED FOR LIFE WORKFLOW DOOR HANDLES

Approved by _____ Date _____ Approved by _____ Date _____



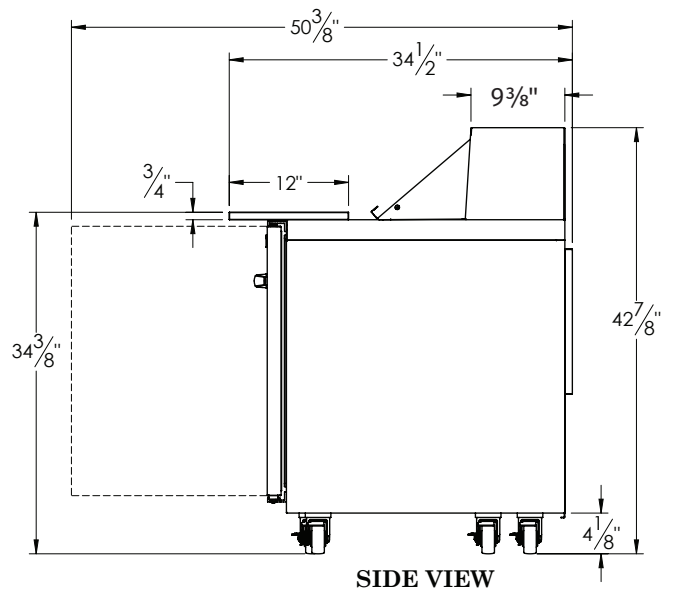
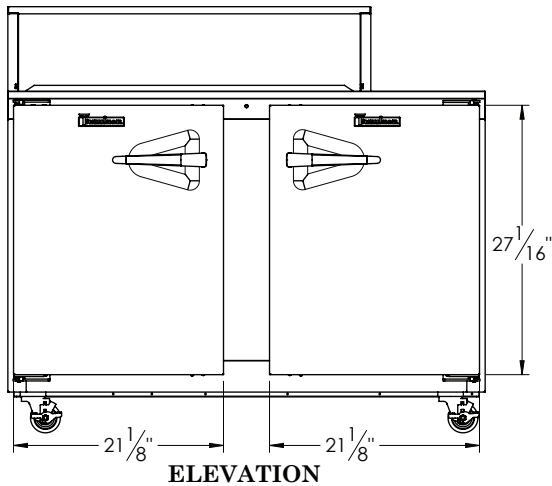
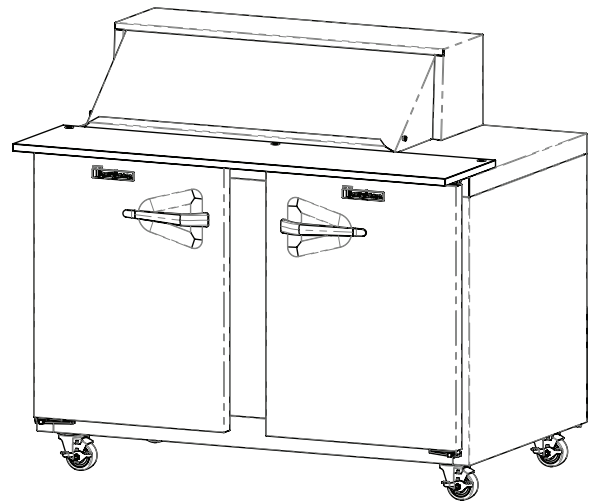
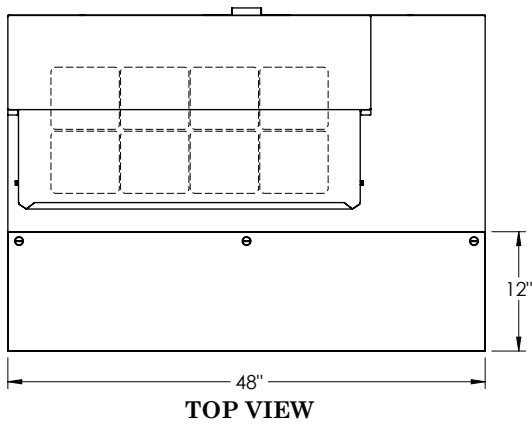
UPT SERIES

Compact Sandwich Prep Tables with
Raised Cover/Self-Contained

MODEL:
UPT488-LR

CAD and/or Revit Files Available

<https://traulsen.klccad.com/>





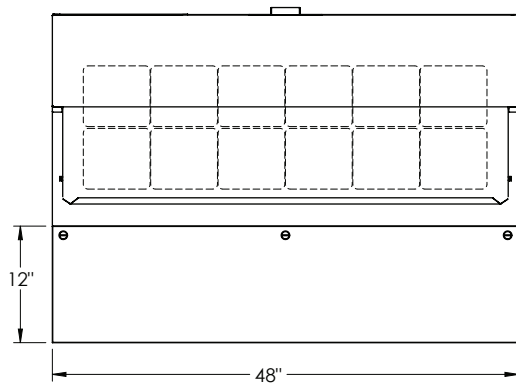
UPT SERIES

Compact Sandwich Prep Tables with
Raised Cover/Self -Contained

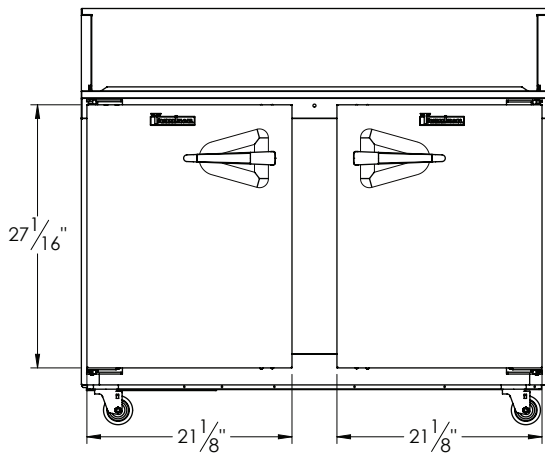
MODEL:
UPT4812-LR

CAD and/or Revit Files Available

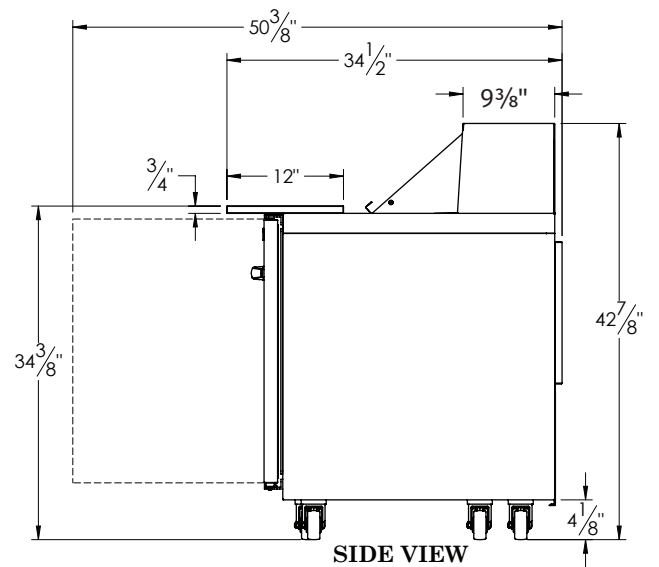
<https://traulsen.klccad.com/>



TOP VIEW

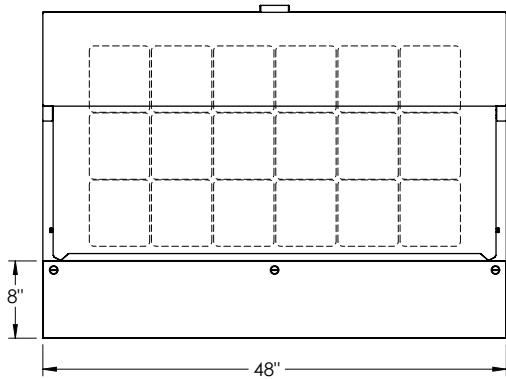


ELEVATION

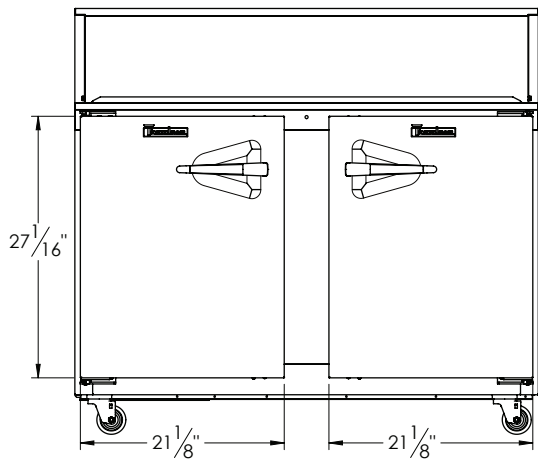


SIDE VIEW

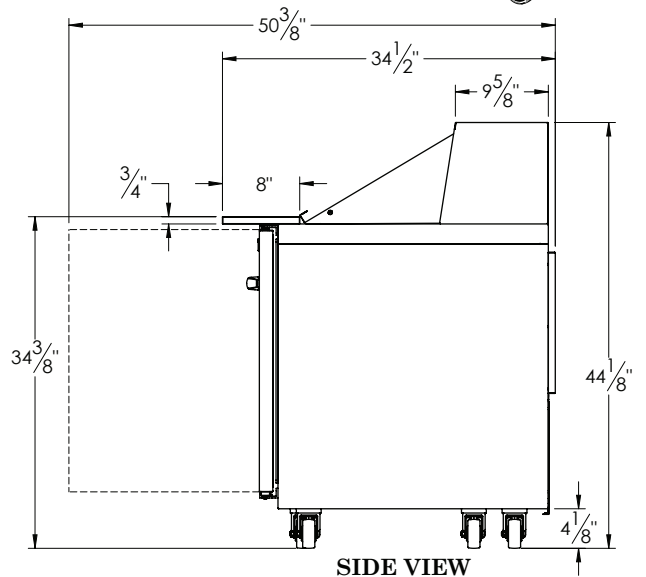
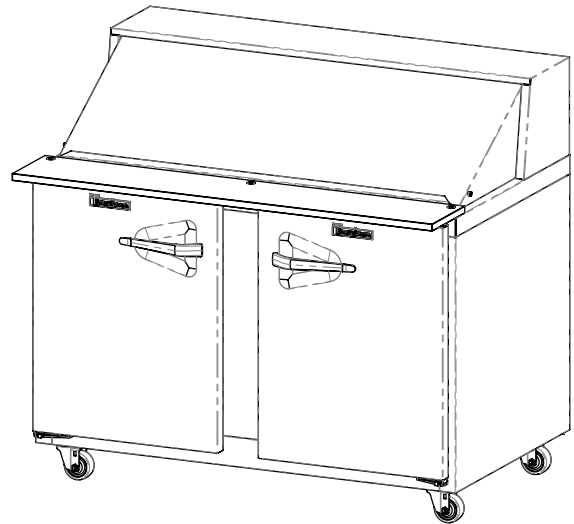
MODEL:
UPT4818-LR



TOP VIEW



ELEVATION



SIDE VIEW



UPT SERIES

Compact Sandwich Prep Tables with Raised Cover/Self -Contained

MODELS:

UPT488-LR, UPT488-LL, UPT488-RR, UPT4812-LR, UPT4812-LL,
UPT4812-RR, UPT4818-LR, UPT4818-LL, UPT4818-RR

EQUIPMENT SPECIFICATIONS

MODELS	UPT488	UPT4812	UPT4818
DIMENSIONAL DATA			
Net Capacity cu. ft.	14 (396.4 l)		
# of 1/6 Size Pan Top	8	12	18
Length - overall in.	48 (121.9 cm)		
Depth - overall in. ¹	34½ (87.6 cm)		
Depth - door open 90° in.	50¾ (128 cm)		
Clear door width in.	21⅞ (53.7 cm)		
Clear door height in.	27⅞ (68.7 cm)		
Depth - cutting board in.	12 (30.5 cm)	8 (20.3 cm)	
Height - overall on 4" casters	42⅞ (108.9 cm)	44⅞ (112.1 cm)	
Work Height on 4" casters	34¾ (87.3 cm)		
# of Doors	2		
# of Shelves	4		
Total Shelf area sq. ft	10.3 (3.1 m)		
ELECTRICAL DATA (NEMA 5-15P attached)			
Voltage	115/60/1		
Full Load Amps	7.2		
REFRIGERATION DATA			
Refrigerant	R-290		
Refrigerant Amount oz.	5 (142 g)		
BTU/HR ² H.P.	1680 1/5 HP		
SHIPPING DATA			
Length - crated in.	69 (175 cm)		
Width - crated in.	42 (107 cm)		
Height - crated in.	56 (142 cm)		
Volume - crated cu. ft.	77 (2180 l)		
Weight - crated lbs.	361 (164 kg)		

NOTES:

- Overall depth figure includes standard cutting board.
- Based on a 90°F ambient and 20°F evaporator

CONSTRUCTION, HARDWARE, INSULATION

Cabinet exterior front, sides, pan cover lid and doors are constructed of stainless steel. Cabinet interior and door liners are constructed of anodized aluminum. The exterior cabinet back at the bottom are constructed of galvanized steel.

Doors self close at less than 90 degrees and also includes a stay open feature at 105 degrees. Gasket profile and material simplify cleaning and increase overall gasket life. Both the cabinet and doors are insulated with an average of 2" thick high density non-CFC, foamed in place polyurethane. A ¾" thick, full-length, reversible white nylon cutting board is supplied standard.

PANS & COVER

Each model is supplied standard with its full compliment of 4" deep plastic 1/6 size pans and stainless steel pan dividers. The lid is constructed of stainless steel, and is easily removable for cleaning.

REFRIGERATION SYSTEM

A balanced, rear mounted, front breathing, self-contained refrigeration system using environmentally friendly R-290 refrigerant is provided. It features a capillary tube metering device, air cooled hermetic compressor, a forced air evaporator coil and a non-electric condensate evaporator. An 8' cord and plug is provided. Standard operating temperature of the refrigerated base is 34° to 38°F (1.1° to 3.3°C).

CONTROLLER

An electronic digital control is supplied standard. It includes a 3-Digit LED display, and a Fahrenheit or Celsius temperature scale display capability.

INTERIOR

Standard interior arrangements include two (2) powder coated wire shelves per door, mounted on pilasters. These are adjustable in ½" (1.27 cm) increments, allowing for a minimum of 1½" (3.81 cm) spacing between shelves.

WARRANTY

Both a six year parts and labor warranty and a seven year compressor parts warranty (self-contained models) are provided standard.

When ordering please specify: Voltage, Hinging, and Options.

Equipped with one NEMA 5-15P Plug



CONTINUED PRODUCT DEVELOPMENT MAY NECESSITATE SPECIFICATION CHANGES WITHOUT NOTICE.